



The Future of
**LED at
MARINE**



**MOSNL50S SERIES
USER MANUAL**

LED NAVIGATION LIGHT

www.marineledlight.com

NAVIGATION LIGHTS WITH LED TECHNOLOGY



USA

GB

Technical Data

- Power Supply : 24V DC
- Power Consumption : approx 2W for each
- Weight : 930 gr for each
- Lifetime : >60.000 Hrs
- Light Source : High Power LED
- Operation Temp. : -25°C to +85°C
- Protection Class : IP67 completely sealed

Materials

- Body Materials : Hard Anodised Aluminium
- Screw/Cable Gland : Stainless Steel 316L
- O-Ring : Silicon
- Glass : UV Resistant Quartz
- Connection : 2x0,50mm Marine Type Cable
- LED Driver Protection : Epoxy Coated
- LED : High Power LED

Carriage and Performance Requirements

- COLREG 72 Annex I/14
- IMO Res. A.694(17)
- IMO Res. MSC.253(83)

Test Standards

- EN14744:2005
- EN 60945:2002 incl. IEC 60945 Corr. 1:2008

EU Regulations / Directives

- 2014/90/EU - 2022/1157

International Approvals

- MED 0437/23 
- Ex II 3G Ex ec IIC Tx Gc 

Protection Class

- IP67 

Standards

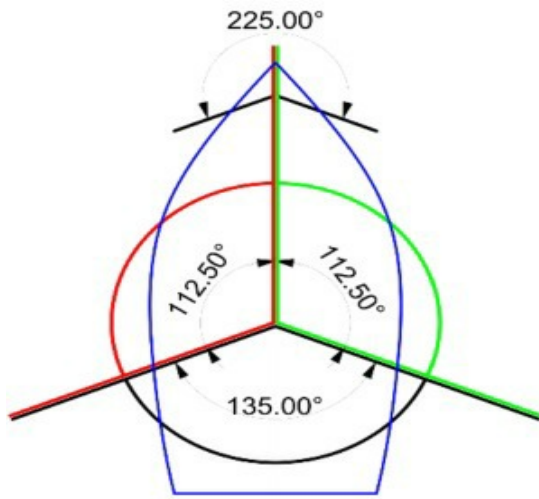
- Conformity of Europe
- Quality Management System



Regulations

For all ships the rules set forth in Annex I/14 to the COLREG's -Positioning and Technical Details- of Lights and Signalling Shapes must be followed. The technical data regarding horizontal and vertical positioning and spacing of the navigation and signalling lights are laid down in these mounting Instructions and operating manual.

Mounting

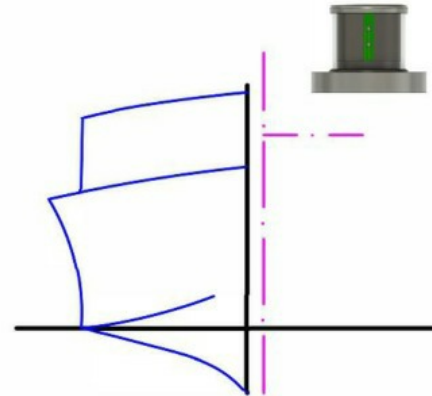


The function of the navigation lights can only be assured and be in accordance with the regulations if the following are followed:

For correct positioning of the navigation lights on board the COLREG's have to be followed.

- The navigation lights must be positioned on and above the keel line parallel to it
- The navigation lights have a directional arrow that runs parallel to the keel line direction of travel.
- The angle or function of the light can not be hindered by parts of the boat or passengers.
- Their position may not be changed while in use.
- Mounting upside down is not allowed.

- The box must be opened for assembly.
- Prepare and clean the mounting area for the navigation light.
- Use gasket as a template for prepare positioning and marking for screw holes.
- Fasten be body on the surface with four bolts.
- The connection cable be laid behind the navigation light.



Demounting

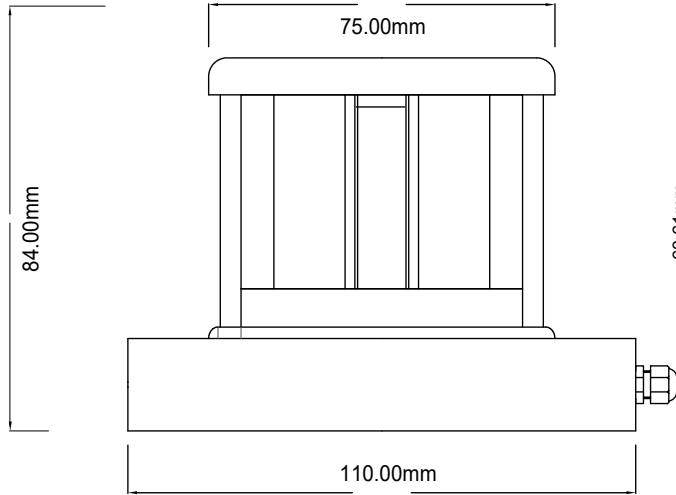
For demounting,

- Be sure that the power is off.
- Unscrew the bolts from the navigation light, and gently lift it up.

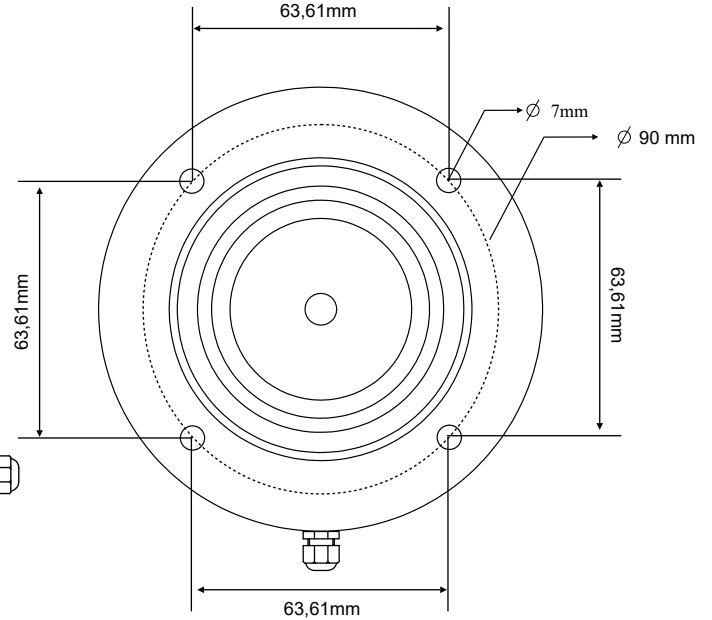
OPERATING MANUAL FOR MOSNL50S SERIES



Width and Length



Screw Pitch



Electrical Installation

- All navigation lights are fitted with cables and ready for use.
- Each lights have 1,5 metre marine type cable.
- Led modules are polarity conscious.
- Reverse polarity will not damage this product but will inhibit its.
- Be sure power supply voltage is 24V DC.

Maintenance

- Special care is not necessary.
- Occasional cleaning of the housing and glass with a soft brush and fresh water will be sufficient.
- We recommend to clean the transparent cover in regular periods with clear water.
- Aggressive cleaners containing solvents should not be used.
- We strongly recommend to cover the light completely prior to executing paint jobs.

Safety Insructions

- Beware of optical radiation!
- Risk of eye injury.
- Do not look directly into LED lighting.

MOSNL50S

Over 50 Meter Single Navigation Light Series



Sector Lights	Visibility	Angle	LED Colour	Power	Code
Port	3 NM	112,5°	Red	3 W	310130
Starboard	3 NM	112,5°	Green	1,2 W	310132
Stern	3 NM	135°	White	1,3 W	310134
Towing	3 NM	135°	Yellow	1,8 W	310136
Masthead	6 NM	225°	White	3,9 W	310138



All-Round Lights	Visibility	Angle	LED Colour	Power	Code
White	3 NM	360°	White	1,8 W	310142
Manoeuvring	3 NM	360°	White	3,6 W	310143
Red	3 NM	360°	Red	4,5 W	310144
Green	3 NM	360°	Green	1,7 W	310146
Yellow	3 NM	360°	Yellow	2,3 W	310150

Special Lights	Visibility	Angle	LED Colour	Power	Code
Red Suez	3 NM	135°	Red	3,1 W	310133
Kiel Canal Green	3 NM	135°	Green	0,9 W	310135





Marine Otomasyon Sistemleri Ltd.

Evliya Celebi Mah. Rauf Orbay Cad.
Ak Is Merkezi No:41/B
Tuzla 34944 - Istanbul



T: +90 (216) 447 12 90 / 91



E: info@mos.com.tr / info@marineledlight.com



www.mos.com.tr / www.marineledlight.com